

M12 male 90° / M12 male 90° shielded Ethernet

TPE 22AWG SF/UTP CAT5e gn UL/CSA, ITC/PLTC 2m

Ethernet CAT5

Male 90° – male 90°

M12 – M12, 4-pole

D-coded

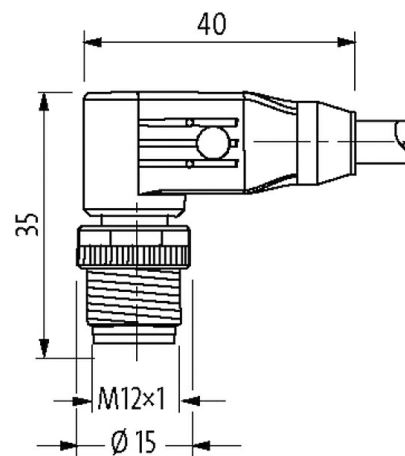
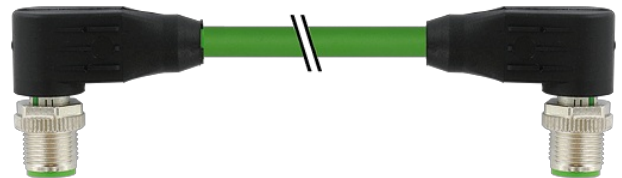
shielded

USA

Further cable lengths on request.

Plastic housings with good resistance against chemicals and oils.

The resistance to aggressive media should be individually tested for your application. Further details on request.

[Link to Product](#)**Illustration**

Product may differ from Image

Approvals

* only for products with UL/CSA approved cable

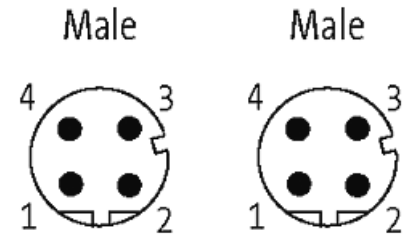
More Info**Form**

Form

44561

| General data | |
|---|--|
| Standards | DIN EN 61076-2-101 (M12) |
| Mounting method | inserted, tightened |
| Pollution Degree | 3 |
| Temperature range | -25...+85 °C, depending on cable quality |
| Cables | |
| Cable number | S7V |
| No./diameter of wires | 2× 2× 0.34 mm ² |
| Wire isolation | HDPE (wh, ye, bl, or) |
| C-track properties | 1 Mio. |
| Jacket Color | green |
| Material (jacket) | TPE (UL) |
| Outer Ø | 7.9 mm ±5% |
| Bend radius (moving) | 10× outer Ø |
| Temperature range (fixed) | -40...+80 °C |
| Temperature range (mobile) | -20...+80 °C |
| Cable identification | S7V |
| Cable weight [g/m] | 74,80 |
| Material (wire) | Cu wire, tin plated |
| Construction (core) | 19× 0.16 mm (multi-strand wire class 5) |
| Diameter (core) | 2× 2× 0.34 mm ² |
| Material (wire isolation) | HDPE |
| Wire-Ø incl. isolation | 1.42 mm ±5% |
| Shield | yes |
| Material (jacket) | TPE |
| Outer-Ø (jacket) | 7.9 mm ±5% |
| Color (jacket) | green |
| Bend radius (fixed) | 5× outer Ø |
| Torsion stress | 3 Mio. |
| Technical Data | |
| Operating voltage | max. 60 V DC |
| Operating voltage (only UL listed) | 30 V DC |
| Rated surge voltage | 1.5 kV |
| Operating current per contact | max. 4 A |
| Material group | IEC 60664-1, category I |
| No. of poles | 4 |
| Configuration | fully used |
| Transfer parameters | CAT5, Class D (ISO/IEC 11801:2002), (EN 50173-1) |
| Transfer rate | up to 100 Mbit/s full duplex |
| Coding | D-coded |
| LED display | no |
| Locking of ports | Screw thread (M12×1 mm) recommended torque 0.6 Nm, self-securing |
| Compression gland | M12 (SW13) |
| Protection | IP65, IP66K, IP67 inserted and tightened (EN 60529) |
| Locking material | Zinc die casting, matte nickel plated |
| Material | PUR |
| suitable for corrugated tube (internal Ø) | without |
| Commercial data | |

| | |
|-----------------------|---------------|
| country of origin | DE |
| customs tariff number | 85444290 |
| EAN | 4048879603546 |
| eClass | 27061801 |
| Packaging unit | 1 |

Sketch

Product may differ from Image